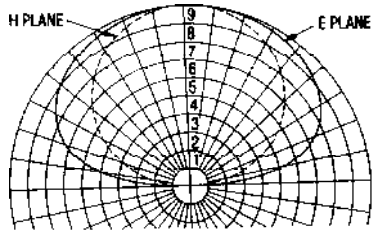


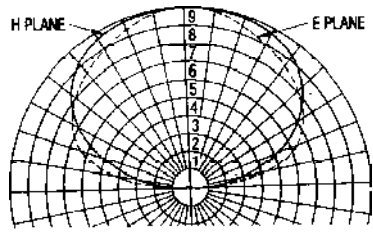
HT-20/HT-20T/HT-20B

- SHORT RANGE
- QUICK ERECT
- LIGHTWEIGHT



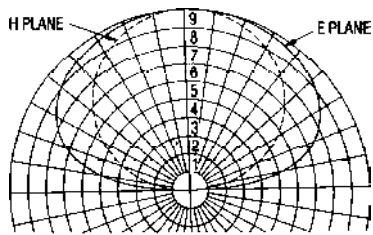
ELEVATION PATTERN 2 MHz

HT-20



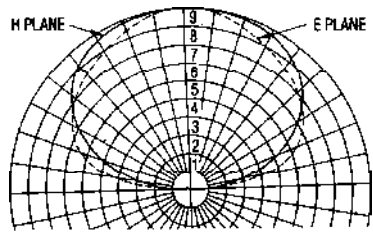
ELEVATION PATTERN 12 MHz

HT-20



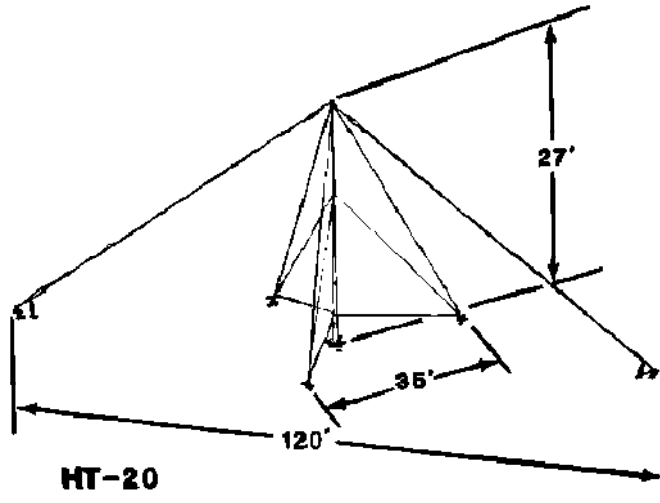
ELEVATION PATTERN 2 MHz

HT-20T

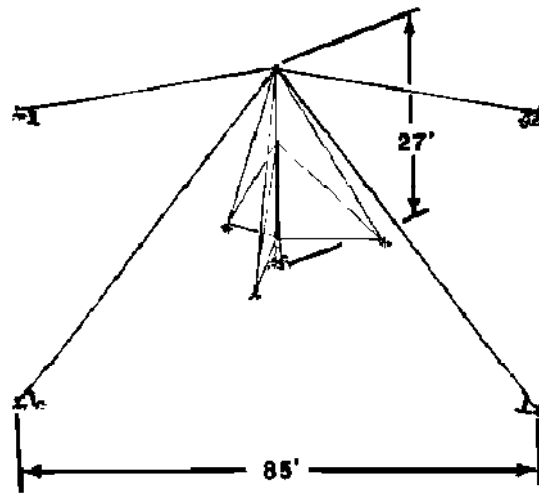


ELEVATION PATTERN 12 MHz

HT-20T



HT-20



HT-20T

